



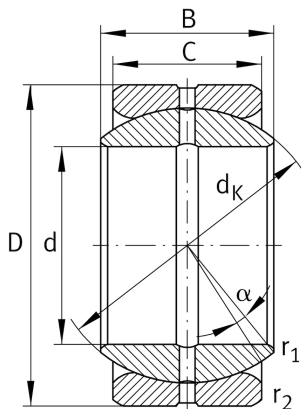
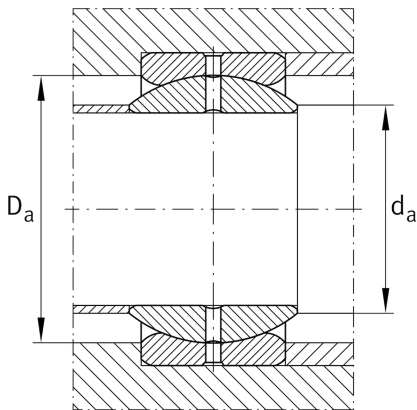
## GE44-ZO

### Spherical plain bearing

Schaeffler ID:  
0526740020000

Radial spherical plain bearing, requiring maintenance, sliding contact surface: steel/steel, inch size, open design

### Technical information



### Main Dimensions & Performance Data

|          |           |                                   |
|----------|-----------|-----------------------------------|
| d        | 44.45 mm  | Bore diameter bearing             |
| D        | 71.438 mm | Outside diameter bearing          |
| B        | 38.887 mm | Width Inner ring                  |
| $C_r$    | 171,000 N | Basic dynamic load rating, radial |
| $C_{0r}$ | 512,000 N | Basic static load rating, radial  |
|          | 0.627 kg  | Weight                            |

### Dimensions

|             |                |  |
|-------------|----------------|--|
| C           | 33.325 mm      | Width Outer ring                       |
| $d_K$       | 63.9 mm        | Ball diameter                          |
| $\alpha$    | 6 °            | Tilt angle                             |
| $r_{1smin}$ | 0.6 mm         | Edge Spacing                           |
| $r_{2smin}$ | 1 mm           | Edge Spacing                           |
| $d_{OT}$    | 0 mm           | Bore diameter bearing, upper tolerance |
| $d_{UT}$    | -0.012 mm      | Bore diameter bearing, lower tolerance |
| $D_{OT}$    | 0 mm           | Outside diameter, upper tolerance      |
| $D_{UT}$    | -0.013 mm      | Outside diameter, lower tolerance      |
| $B_{OT}$    | 0 mm           | Width inner ring, upper tolerance      |
| $G_r$       | 0,08 - 0,18 mm | Radial Clearance                       |
| $B_{UT}$    | -0.12 mm       | Width inner ring, lower tolerance      |
| $C_{OT}$    | 0 mm           | Width outer ring, upper tolerance      |

### Mounting dimensions

|             |         |                               |
|-------------|---------|-------------------------------|
| $d_{a max}$ | 50.7 mm | Connection measure Inner ring |
| $D_{a min}$ | 57 mm   | Housing Connection Diameter   |

### Temperature range

|           |        |                            |
|-----------|--------|----------------------------|
| $T_{min}$ | -60 °C | Operating temperature min. |
| $T_{max}$ | 200 °C | Operating temperature max. |